



RM
SERIES

REMOVABLE



PROTECTION



PUBLIC



COMMERCIAL

275/K4SF 900RM

Removable bollards with shallow foundation

Guaranteed security with only 200mm of excavation

The removable **shallow foundation bollards** offer advanced protection with simplified installation, requiring **just 200 mm of excavation**.

The cylinder can be **quickly removed** using a forklift or crane, and the closed basement ensures maximum stability without leaving openings.

- **Only 200mm excavation** required (300 mm on stone surfaces)
- **Quick removal** via forklift or crane
- **Secure and integrated** unlocking and lifting system
- **Certified resistance impacts** with trucks **at 50 km/h (K4/M30 level)**



TRIPLE CERTIFICATION
PAS68, IWA14, ASTM

Smart! Modular installation? The connecting element enhances the system's resistance



Standard configuration

The standard configuration of our systems is designed to ensure efficiency, safety and ease of management. The configuration includes:

- **Anthracite grey painted steel bollard**, a device for controlling vehicle access
- **Basement**, an underground structure housing the cylinder.

PILOMAT
HÖRMANN

Pilomat S.r.l.
Via Zanica 17/P, Grassobbio (BG) Italia
pilomat@pilomat.com www.pilomat.com



RM
SERIES



PROTECTION



PUBLIC



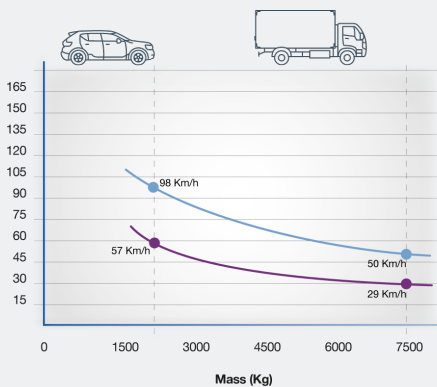
COMMERCIAL

275/K4SF 900RM

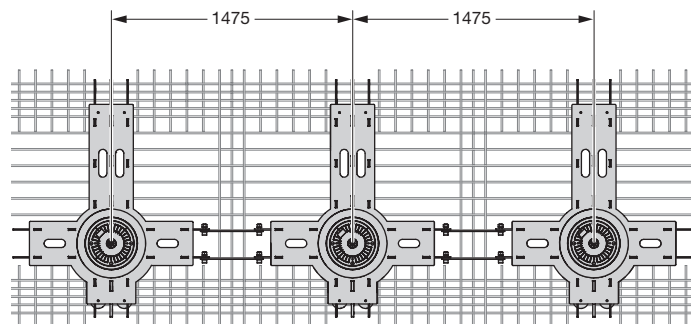
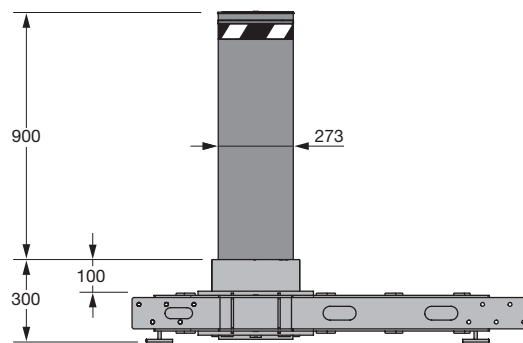
Removable bollards with shallow foundation

275/K4SF 900RM

Cylinder material	S235JR normal steel - X5CrNi 18-10 (AISI 304) stainless steel
Cylinder diameter	273
Cylinder height	900mm
Cylinder thickness	10mm
Cylinder normal steel finish	Anti-corrosion treatment - grey anthracite standard painting
Cylinder stainless steel finish	Grey anthracite standard painting or brushing
Reflecting adhesive strip	Standard - height 55mm
Cylinder weight (without base)	82kg
Base weight	158kg
Security lock	Euro profile cylinder lock incl. 2 keys
Perimetral crown (circular)	Included in the supply
Impact resistance	250.000 J
Breakout resistance	750.000 J
Load class (EN124)	D400
Certified to	PAS68, IWA 14-1, ASTM M30 (K4)



Breakout resistance **Impact resistance**
 ● 250,000 J ● 750,000 J



PILOMAT
HÖRMANN

Pilomat S.r.l.
Via Zanica 17/P, Grassobbio (BG) Italia
pilomat@pilomat.com www.pilomat.com



RM
SERIES

REMOVABLE



PROTECTION



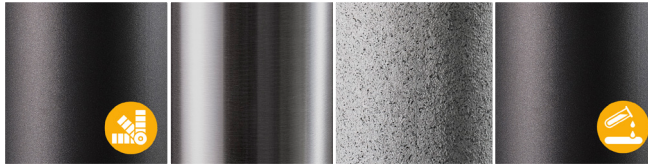
PUBLIC



COMMERCIAL

Pilomat offers **control and safety accessories** for every installed system: reflecting strip, LED lighting strip. Each device is designed to **ensure maximum efficiency, clear signaling, and intuitive operation.**

Available finishes



RAL painting

Brushing

Stone mantle

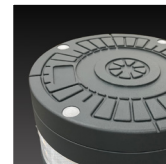
Anti-corrosion marine treatment

Safety and visibility



Reflecting strip

Special design



RAL painted cover



PILOMAT
HÖRMANN

Pilomat S.r.l.
Via Zanica 17/P, Grassobbio (BG) Italia
pilomat@pilomat.com www.pilomat.com